

Contents

	page
Foreword.....	3
1 Scope	4
2 Normative references	4
3 Terms and definitions.....	4
4 Requirements	6
5 Tests.....	11
6 Marking and labelling	17
7 Instructions for use and maintenance.....	18

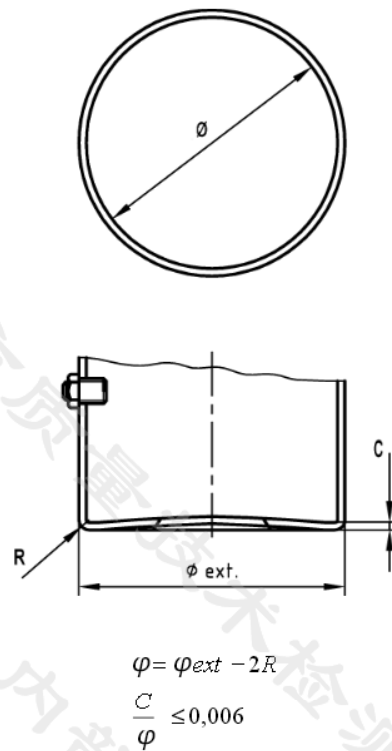


Figure 3 — Measurement of the base concavity

4.2.4 Handling devices

The body of the coffee maker shall be equipped with a handle.

The lid, if any, shall be equipped with a knob.

These handling devices shall be safe, resistant and durable.

When it is submitted to the tests described in 5.3.1, the handle shall not suffer any breakage or permanent deformation and its fixing system to the body of the coffee maker shall not fail.

The handle and the knob shall be designed in such a way that their temperature, when measured according to 5.3.2, is not higher than the following values:

- | | |
|-----------------------------|-------|
| a) metals | 55 °C |
| b) ceramic, glass and stone | 66 °C |
| c) plastics | 70 °C |
| d) wood | 89 °C |

and in such a way that the coffee maker can be handled safely without the user coming into contact with any parts of the coffee maker exceeding the maximum temperature described above.